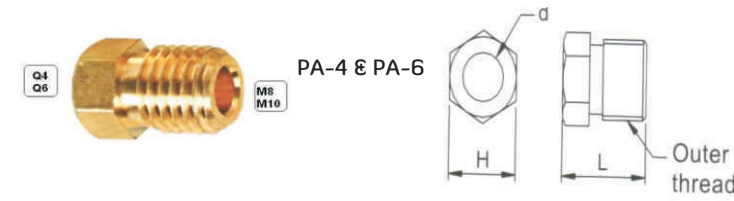


Model	Bore	d	L	Outer-thread
PA-4 (Somun)	Q4	Q4.1	12	M8*P1.0
PA-6 (Somun)	Q6	Q6.1	12,50	M10*P1.0
PA-8 (Somun)	Q8	Q8.1	14,00	M14*P1.5



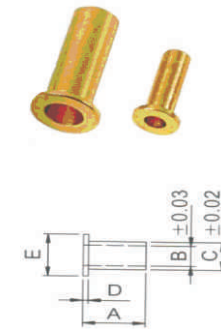
Model	Bore	d	D	L
PB-4 (Yüksük)	Q4	Q4.1	Q6	4,6
PB-6 (Yüksük)	Q6	Q6.1	Q8	4,6
PB-8 (Yüksük)	Q8	Q8.1	Q11	7



Model	L	Out.Thre.	H	Weight(g)
PG-004 (Körtapa)	12	M8*P1.0	8	4
PG-1 (Körtapa)	12	PT1/8	10	6
PG-410 (Körtapa)	15	M10*P1.0	14	10



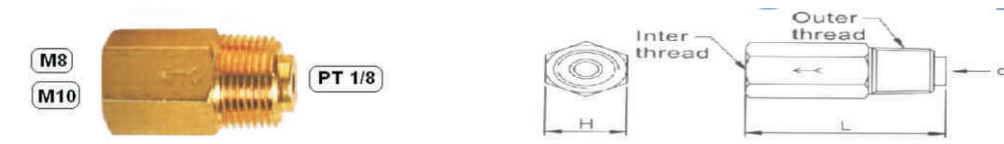
Model (Pim)	Bore	A-B	C-D
PO-4 (Hort. içi Pim)	Q4	10-1,6	2,2-0,5
PO-401 (Hort. içi Pim)	Q4	10-1,7	2,5-0,5
PO-6 (Hort. içi Pim)	Q6	11-3,4	4-0,5
PO-8 (Hort. içi Pim)	Q8	15-4,7	5,4-0,5



Model (Düz Rekor Bağ.)	Bore	d	Int.thread	Out thread
PD-401	Q4	Q3	M8*P1.0	PT 1/8
PD-601	Q6	Q4	M10*P1.0	PT 1/8
PD-4061	Q4	Q2	M8*P1.0	M6*P1.0
PD-6061	Q6	Q1,9	M10*P1.0	M6*P1.0
PD-408	Q4	Q3	M8*P1.0	M8*P1.0
PD-608	Q6	Q3	M10*P1.0	M8*P1.0
PD-410	Q4	Q3	M8*P1.0	M10*P1.0
PD-606	Q6	Q1,9	M10*P1.0	M6*P0.75
PD-610	Q6	Q4	M10*P1.0	M10*P1.0



Model (Check Rekor Bağ.)	Bore	d	Int.thread	Out thread
PD-4011	Q4	Q4.9	M8*P1.0	PT 1/8
PD-6011	Q6	Q4.9	M10*P1.0	PT 1/8

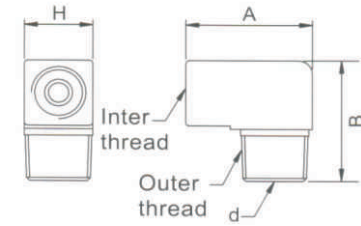
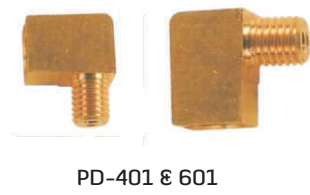


Model (Ters Check Rekor Bağ.)	Bore	d	Int.thread	Out thread
PD-4012	Q4	Q4.9	M8*P1.0	PT 1/8
PD-6012	Q6	Q4.9	M10*P1.0	PT 1/8



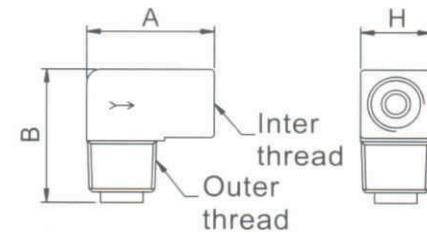
Reverse Check valve

Ürün (Düz Dirsek)	Bore	d	Inter-thread	Outer-thread
PH-401	Q4	Q4	M8*P1.0	PT1/8
PH-601	Q6	Q4	M10*P1.0	PT1/8
PH-408	Q4	Q3	M8*P1.0	M8*P1.0
PH-608	Q6	Q3	M10*P1.0	M10*P1.0
PH-4061	Q4	Q2	M8*P1.0	M6*P1.0
PH-410	Q4	Q4	M8*P1.0	M10*P1.0
PH-6061	Q6	Q2	M10*P1.0	M6*P1.0
PH-608	Q6	Q3	M10*P1.0	M8*P1.0
PH-610	Q6	Q4	M10*P1.0	M10*P1.0



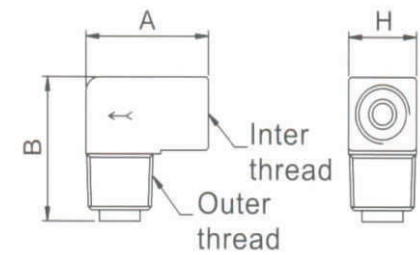
PD-401 & 601

Ürün (Check Dirsek)	Bore	d	Inter-thread	Outer-thread
PH-4011	Q4	Q4.9	M8*P1.0	PT1/8
PH-6011	Q6	Q4.9	M10*P1.0	PT1/8



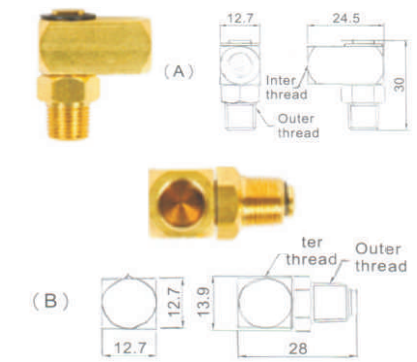
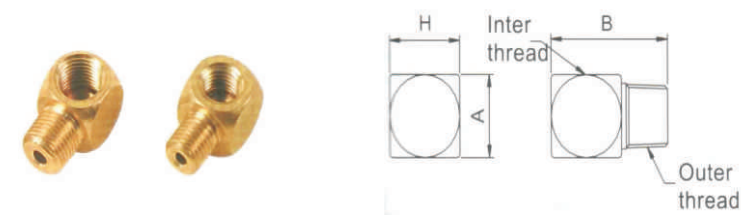
PD-4011 & 6011

Ürün (Ters Check Dirsek)	Bore	d	Inter-thread	Outer-thread
PH-4012	Q4	Q4.9	M8*P1.0	PT1/8
PH-6012	Q6	Q4.9	M10*P1.0	PT1/8



PD-4012 & 6012  
Reverse Check Dirsek

Model (Dirsek bağlantı)	A	B	Inter-thread	Outer-thread
PI-401	12,70	21	M8*P1.0	PT1/8
PI-601	12,70	21	M10*P1.0	PT1/8
PI-408	12,70	21	M8*P1.0	M8*P1.0
PI-1061	12,00	20	PT1/8	M6*P1.0
PI-4061	12,00	20	M8*P1.0	M6*P1.0

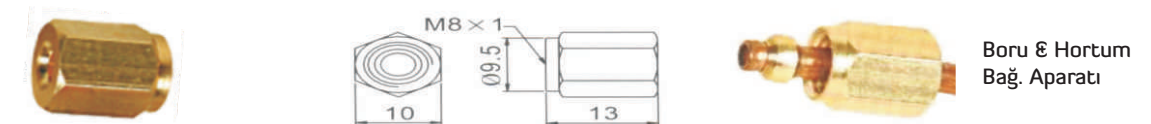


Model (Dön.Dirsek bağlantı)	Inter-thread	Outer-thread
ES-401 (A)	M8*P1.0	PT1/8
ES-601 (A)	M10*P1.0	PT1/8
ES-101 (B)	PT1/8	PT1/8

Model (Erk.Nipel Bağ.)	D*T	Material	H	L
CN-101	PT1/8*PT1/8	Copper	10	21
CN-202	PT1/4*PT1/4	Copper	14	25
CN-404	PT1/2*PT1/2	Iron	23	40
RN-102	PT1/8*PT1/4	Copper	14	27
RN-203	PT1/4*PT3/8	Copper	17	27
PN-304	PT3/8*PT1/2	Iron	21	27



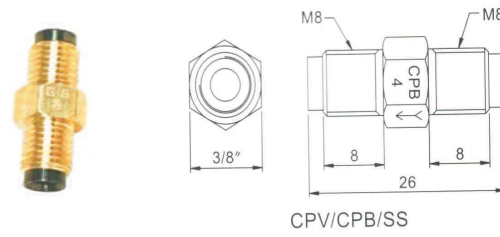
Model (Somun/Nip.Bağ.)	Inter-thread	Weight(g)
PR-08	M8*P1.0	4



Model	Prop.Adapters (Oransal Dağıtıcı)	Bore	Code (cc.)	Outer-thread
PTT Dozaj Nipel	1.One way flow reverse stop.	PTT	1 2 3 4 5	PT1/8*PT1/8
CPT Dozaj Nipel	2.For larger and small Volume	CPT	1 2 3 4 5	M8*PT1/8
CPV Dozaj Nipel stand.	3.For Oil standard	CPV	1 2 3 4 5	M8*M8
CPV Dozaj With Nipel	4.For Oil with nipel	CPV w.N.	1 2 3 4 5	M8*M8



Model	Prop.Adapters (Oransal Dağıtıcı)	Bore	Code (cc.)	Outer-thread
ST Dozaj Check Nipel	1.One way flow with reverse stop.	ST	0 1 2 3 4 5	M8*PT1/8
SS Dozaj Check Nipel	2.For larger V olume 3.For Oil	SS	0 1 2 3 4 5	M8*M8



Stok Kodu	Prop.Adapters (Oransal Dağıtıcı)	Bore	Code (cc.)	Outer-thread
CPS Dozaj Nipel	For Grease	CPS	1 2 3 4 5	M8*PT1/8
CPB Dozaj Nipel	NLGI grades 0-000	CPB	1 2 3 4 5	M8*M8


**SOCKET PRESSURE SWITCH**

Model	Specification	Ölçü	Operation Pressure
20140	NO 8 (+/-) 1.0 kg/cm	PT 1/8	ON 8 kg /cm ; OFF 6 kg /cm
20141*	NC 8 (+/-) 1.0 kg/cm	PT 1/8	ON 6 kg /cm ; OFF 8 kg /cm
20142	NO 1 (+/-) 0.2 kg/cm	PT 1/8	ON 1.2 kg /cm ; OFF 0.8 kg /cm
20143	NC 1 (+/-) 0.2 kg/cm	PT 1/8	ON 0.8 kg /cm ; OFF 1.2 kg /cm
20163	NC 3.5 (+/-) 0.5 kg/cm	PT 1/8	ON 2.5 kg /cm ; OFF 4 kg /cm
20172	NC 14 (+/-) 2.0 kg/cm	PT 1/8	ON 11 kg /cm ; OFF 14 kg /cm


**GA-25 GEAR PUMP (DİŞLİ POMPA)**

Model	Motor	Max.Vol.	Max Pressure	Voltage
GA-25	25W	250cc/ minute	12kgf/cm	1Q110V
Resist.				1Q220V
Type				3Q220V

\*Komple dişli pompa ve elekt.motoru ile birlikte

\*Elekt.motoru 220V/110V


**OIL FILTER (YAĞ FİLTRELERİ)**

Model	Specification	Max.Pres.	Mesh. (Micron)
FL-2	PT 1/4*PT1/4	10 kgf/cm <sup>2</sup>	100 mesh. (150 mic.)
FL-3	PT 3/8*PT3/8		
FL-6	PT 3/4*PT3/4		
FL-8	PT 1'*PT1'		

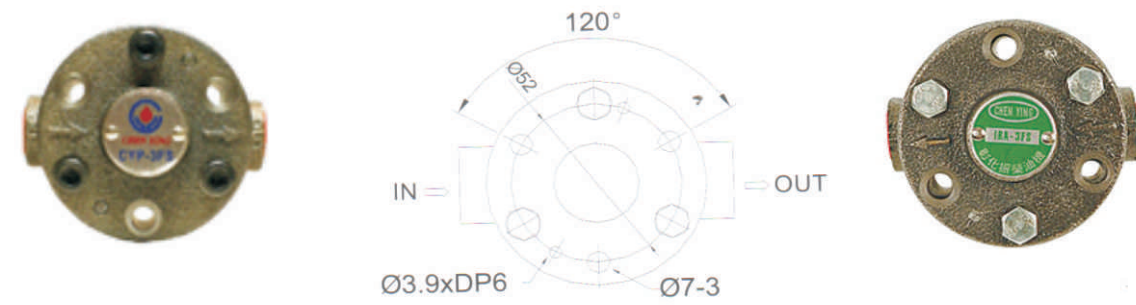
Model	Specification	Max.Pres.	Mesh. (Micron)
A-101-1	PT 1/8*PT1/8	10 kgf/cm <sup>2</sup>	40 mesh.
A-101-3		30 kgf/cm <sup>2</sup>	40 mesh.
A-101-2		30 kgf/cm <sup>2</sup>	400 mesh.(37 mic.)



**ROTARY OIL PUMP (MİNİ POMPA)**

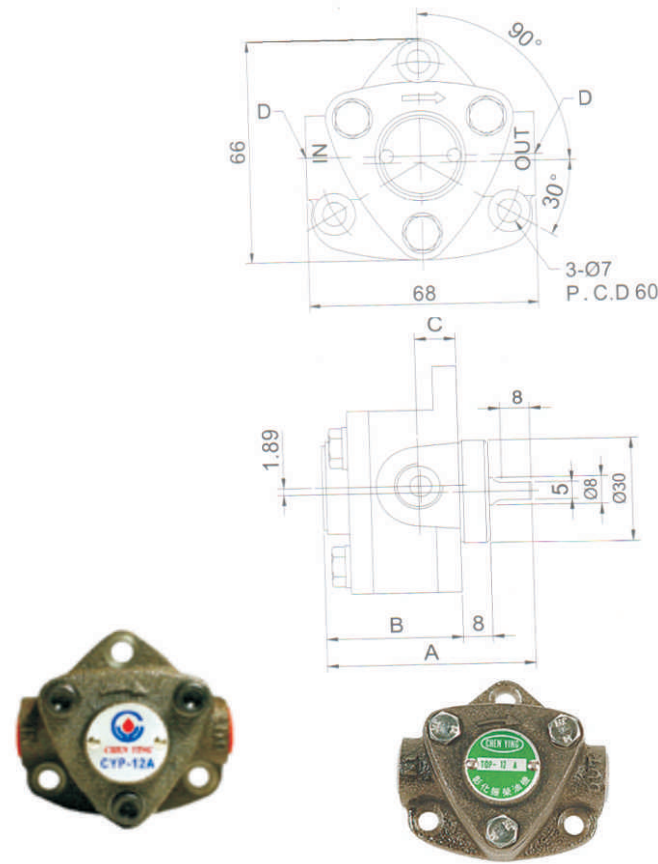
Model	Dis.Volume (L/min.)		Max Pressure	rpm.
	1420 rpm	1720 rpm		
1RA-1FS	CYP-1FS	1,74	2,08	5 kgf/cm
1RA-2FS	CYP-2FS	2,70	3,24	
1RA-3FS	CYP-13FS	3,75	4,50	

Model	A	B	C	Production by
1RA-1FS	CYP-1FS	85	46	PT1/4
1RA-2FS	CYP-2FS	89	50	PT1/4
1RA-3FS	CYP-13FS	93	54	PT1/4
				Taiwan/Japan

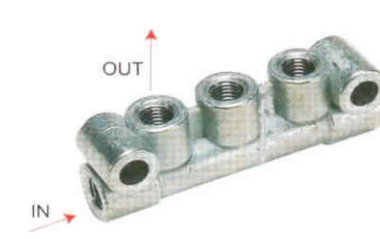


Model	Model	D	Place of production
TOP-10A	CYP-10A	PT1/8	Made in Taiwan (Mini Pompa)
TOP-11A-1	CYP-11A-1	PT1/8	
TOP-11A-2	CYP-11A-2	PT1/4	
TOP-12A	CYP-12A	PT1/4	
TOP-12L	CYP-12L	PT1/4	
TOP-13A	CYP-13A	PT3/8	

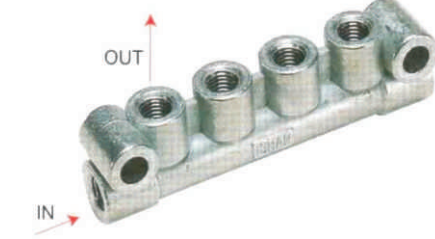
Model	Dis.Volume (L/min)		rpm.
	1420 rpm	1720 rpm	
TOP-11A	1,80	2,20	1420-1720rpm
TOP-12A	3,00	3,70	1420-1720rpm
TOP-12L	3,00	3,70	450-1200 rpm
TOP-13A	5,50	6,70	1420-1720 rpm


**A-TİPİ DİREKT DAĞITICILAR**

Model	Outlet-Num.	Inlet Bore	Outlet Bore	A (mm)
A-4	3	Standards Q6 Q4 Optional	Q4	50
A-5	4			65
A-6	5			86
A-7	6			98
A-8	7	Standards Q6 Q4 Optional	Q4	115
A-9	8			128
A-10	9			137
A-11	10			152
A-12	11			167



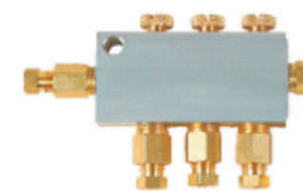
Örnek : A-5



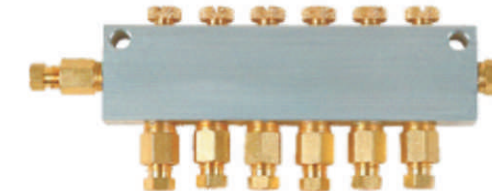
Örnek : A-6

**B-TİPİ (İğne Vana) AYARLI DAĞITICILAR**

Model	Outlet Num.	Inlet Bore	Outlet Bore	A (mm)
B-2	2	Standards Q6 Q4 Optional	Standards Q4 Q6 Optional	47
B-3	3			62
B-4	4			77
B-5	5			92
B-6	6			107
B-7	7			122
B-8	8	Standards Q6 Q4 Optional	Standards Q4 Q6 Optional	137
B-9	9			152
B-10	10			167
B-11	11			182
B-12	12			197



Örnek : B-3

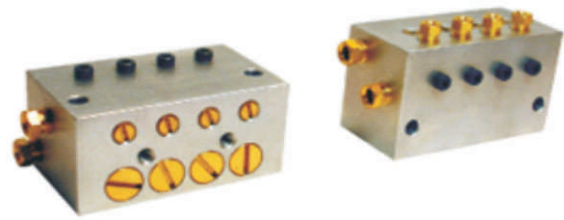


Örnek : B-6

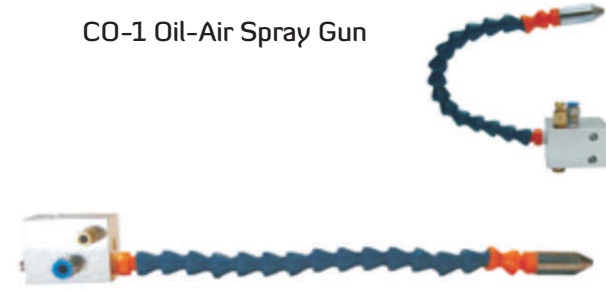
**CO TYPE OIL-AIR VOLUME DISTRIBUTOR**

Model	Outlet-Num.	Inlet Bore	Outlet Bore	Discharge Volume	Oil Pres.	Air Pres.
CO-1	1	M10*P1.0 Q6	M8*P1.0 Q4	0.01 cc.	20 kgf/cm2 to 30 kgf/cm2	3,5 kgf/cm2 to 7 kgf/cm2
CO-2	2			0.03 cc.		
CO-3	3			0.06 cc.		
CO-4	4			0.10 cc.		
CO-5	5			0.16 cc.		

\*CO Type Air volume fixed

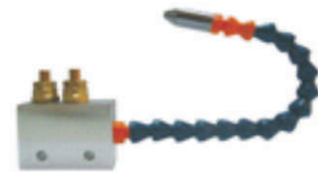


CO-1 Oil-Air Spray Gun


**OA TYPE OIL-AIR VOLUME DISTRIBUTOR**

Model	Outlet-Num.	Inlet Bore	Outlet Bore	Discharge Volume	Oil Pres.	Air Pres.
OA-1	1	M10*P1.0 Q6	M8*P1.0 Q4	0.01 cc.	20 kgf/cm2 to 30 kgf/cm2	3,5 kgf/cm2 to 7 kgf/cm2
OA-2	2			0.03 cc.		
OA-3	3			0.06 cc.		
OA-4	4			0.10 cc.		
OA-5	5			0.16 cc.		

\*OA Type Air volume adjustable



OMType Adj.Spray Gun

**T TYPE PISTON DISTRIBUTOR**

Model	Outlet-Num.	Inlet Bore	Outlet Bore	Discharge Volume	Weight(g)
T-200	2	M10*P1.0	M8*P1.0	0.1 cc	154
T-300	3			0.2 cc	205
T-400	4			0.3 cc	263
T-500	5	M10*P1.0	M8*P1.0	0.4 cc	318
T-600	6			0.5 cc	375

Örnek :  
T-600


**CDB TYPE PISTON DISTRIBUTOR**

Model	Outlet-Num.	Inlet Bore	Outlet Bore	Discharge Volume	Weight(g)
CDB-1	1	M10*P1.0	M8*P1.0	0.1 cc.	125
CDB-2	2			0.2 cc.	150
CDB-3	3			0.3 cc.	180
CDB-5	5			0.4 cc.	210
				0.5 cc.	240



CDB-3  
Piston Distr.



CDB-1  
Piston Distr.

**CAB TYPE DOZAJLI DAĞITICILAR**

Model	Outlet-Num.	Inlet Bore	Outlet Bore	Discharge Volume	Weight(g)
CAB-1	1	M8*P1.0	M8*P1.0	0,03 cc	30
CAB-2	2	M10*P1.0			96
CAB-3	3				128
CAB-5	5				192
CAB-6	6				215
CAB-8	8				297



CAB-1



CAB-2



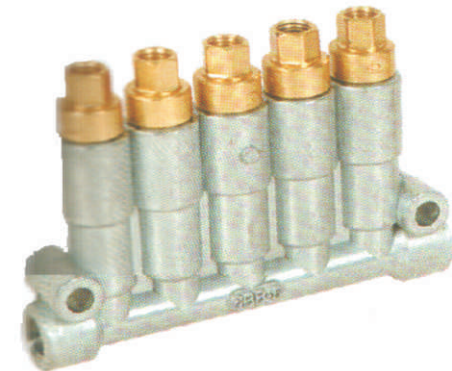
CAB-3



CAB-5

**CBB TYPE DOZAJLI DAĞITICILAR**

Model	Outlet-Num.	Inlet Bore	Outlet Bore	Discharge Volume	Weight(g)
CBB-1	1	M10*P1.0	M8*P1.0	0,10 cc	79
CBB-2	2			0,20 cc	178
CBB-3	3	Q6	Q4	0,30 cc	250
CBB-5	5			0,40 cc	410



CBB-5



CBB-1

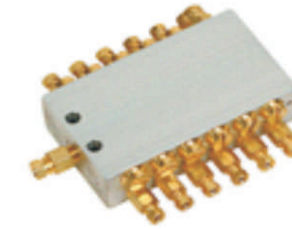
**CV TYPE + SENSOR SWITCH ILE**

Model	Outlet Num.	Inlet Bore	Outer Bore	L (mm)	Discharge Volume	Operation Pressure Range
-------	-------------	------------	------------	--------	------------------	--------------------------

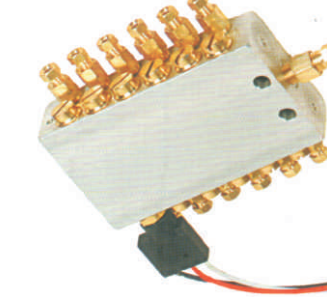
CV-6 w.sensor s.	6	StandartsQ6 Q4 Optinal	StandartsQ4 Q6 Optinal	60	0.18cc/ Stroke	Grease 15 to 150 kgf/cm Oil 5-30 kgf/cm
CV-8 w.sensor s.	8			75		
CV-10 w.sensor s.	10			90		
CV-12 w.sensor s.	12			105		
CV-14 w.sensor s.	14			120		

Order Code:			
CV-10-----	6-----	4-----	X
Outlet Number	Inlet Bore	Outlet Bore	Special Request
6: Outlets	4:Q4	4:Q4	S:Add Sensor Switch
8: Outlets	6:Q6	06:Q6	
10: Outlets			
12: Outlets			
14: Outlets			

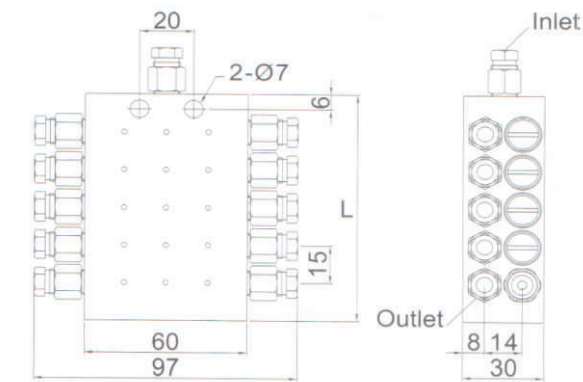
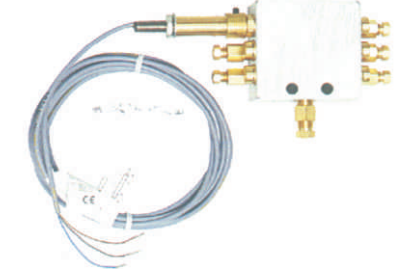
CV type standard



CV type with sensor switch



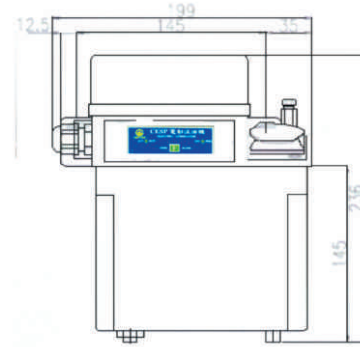
CV type with proximity switch



Model	Act Time	Interval Time	Motor	Max Volume	Max Pressure
CESP	2,3,5,10, 15,20,25 30 sec. Optional	3,5,10,15 20,30,60, 180 min. Optional	12W	135 cc/min.	10kgf/cm2

Not : CESP Tipi yağlamalarda bekleme (Interval) süresi ve yağlama (Act.Time) kutucuk içinden ayarlanabilir..

Model	Tank Code	Tank Material	Tank Capacity	Fixed Hole Distance (mm)	Length (mm)
CESP	1	Resin	2L	145	199
	2	Aluminum	2L	200	202
	3	Resin	3L	205	230
	4	Resin	4L	250	256
	5	Aluminum	4L	280	275
	8	Iron	8L	338	355



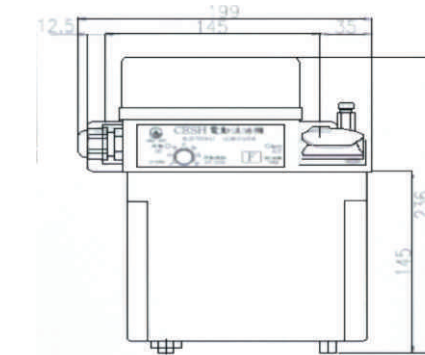
CESP	1	C	1	2
Model	Tank Capacity (Material)	Voltage	Discharge Bore	Operation Model
P : Dial Type	01 : 2L ( Resin )	A : 110V,60HZ	0 : Q4	1 : Turn on-Feeding
	02 : 2L ( Alüminyum )	B : 220V,50HZ	1 : Q6	2 : Turn on-Feeding
	03 : 3L ( Resin )	C : 220V,60HZ	2 : Q4 ( With Press. Gauge )	
	04 : 4L ( Resin )		3 : Q6 ( With Press. Gauge )	
	05 : 4L ( Alüminyum )			
	08 : 8L ( Iron )			

Sipariş Kod örnek : CESP-01 (2L Resin)-C (220V,60HZ)-1 (Q6 çıkış)-3 (Manometreli)-2 Turn on beslemeli

Model	Act time	Interval Time	Motor	Max Volume	Max Pressure
CESH	10 sec (Non -adjustable) Fixed	1-180 min or 1-60 min Optional	12W	135cc/min.	10 kgf/cm2

Not : CESH Tipi yağlamalarda bekleme(Interval) zamanı ayarlanabilir, yağlama süresi fix'dir. (10 sec.) 10 sn.

Model	Tank Code	Tank Material	Capacity	Fixed Hole Distance (mm)	Length (mm)
CESH	1	Resin	2L	145	199
	2	Aluminum	2L	200	202
	3	Resin	3L	205	230
	4	Resin	4L	250	256
	5	Aluminum	4L	280	275
	8	Iron	8L	338	355



CESH	1	2	C	1	2
Model	Tank Capacity(Material)	Time ( Act x Interval )	Voltage	Discharge Bore	Operation Model
H :Single	01 : 2L ( Resin )	1 : 10 sc x 60 min	A : 110V,60HZ	0 : Q4	1 :Turn on-Feeding
Time	02 : 2L ( Alüminyum )	2 :10 sec x 180 min	B : 220V,50HZ	1 : Q6	2 : Turn on-Feeding
Adjuster	03 : 3L ( Resin )		C : 220V,60HZ	2 : Q4 ( With Pres. Gaug)	
	04 : 4L ( Resin )			3 : Q6 ( With Pres. Gaug)	
	05 : 4L ( Alüminyum )				
	08 : 8L ( Iron )				

Model	Act time	Motor	Max Volume	Max Pressure
CESG-01	Direkt	12W	135cc/min.	10 kgf/cm <sup>2</sup>

Model	Tank Code	Tank Material	Capacity	Fixed Hole Distance (mm)	Lenght (mm)
CESG-01	1	Resin	2L	145	199
	2	Aluminum	2L	200	202
	3	Resin	3L	205	230
	4	Resin	4L	250	256
	5	Aluminum	4L	280	275

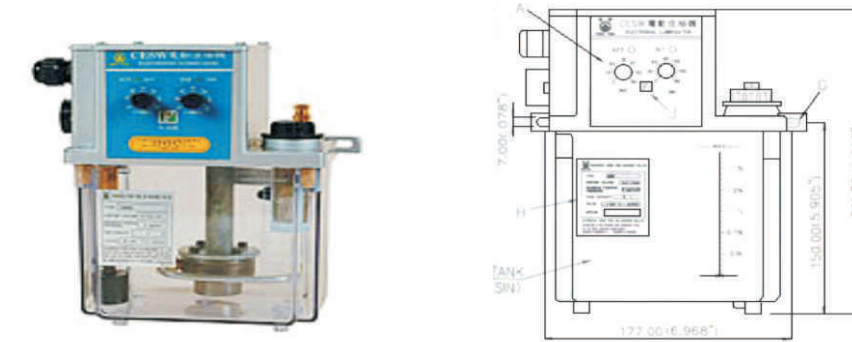


Model	1	C	3	X
CESG-01	Tank Capacity (Material)	Voltage	Discharge Bore	Special Request
O1:Resistance	01:2L (Resin)	A:110V,60Hz	0:Q4	B:Add a pressure switch
Type	02:2L (Aluminum)	B:220V,50Hz	1:Q6	(NO or NC 1 1kgf/cm)
	03:3L (Resin)	C:220V,60Hz	2:Q4 (With Pressure Gauge)	
	04:4L (Resin)		3:Q6 (With Pressure Gauge)	
	05:4L (Aluminum)			
	08:8L (Iron)			

Model	Act Time	Interval Time	Motor	Max Volume	Max Press.	1Q Voltage
CESW	3-60 sec	1-60 min or 1-180 min	12W	130 cc/min.	8kgf/cm <sup>2</sup>	110V 220V

CESW Timer (Zaman röleli,serbest geçiş yağlama) ünitesidir.

Model	Tank Code	Tank Material	Capacity	Fixed Hole Distance (mm)	Lenght (mm)	Width (mm)
CESW	1	Resin	2L	177	215	142,5
	2	Aluminum	2L	200	218	160
	3	Resin	3L	205	230	167
	4	Resin	4L	250	277	162
	5	Aluminum	4L	280	298	165
	8	Iron	8L	338	355	190



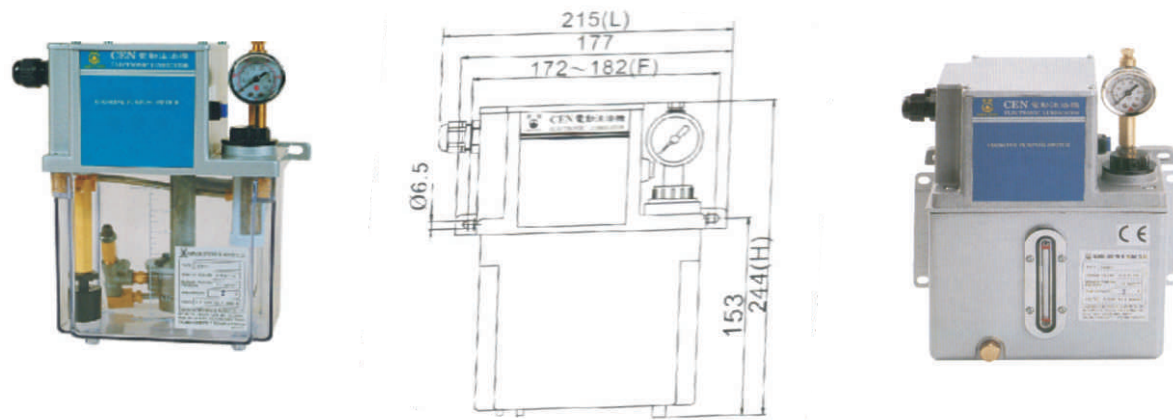
Model	1	2	C	3
CES W	Tank Capacity ( Material )	Time ( Act x Interval)	Voltage	Discharge Bore
W : Time	01 : 2 L ( Resin )	1 : 1min X 60min	A : 110V,60Hz	0 : Q4
Adjuster	02 : 2 L ( Aluminum )	2 : 1min X 180min	B : 220V,50Hz	1 : Q6
Inside the wiring box	03 : 3 L ( Resin )	3 : 1min X 12hours	C : 220V,60Hz	2 : Q4 ( With Pres.Gau.)
	04 : 4 L ( Resin )	4 : 1min X 72 hours		3 : Q6 ( With Pres.Gau.)
	05 : 4 L ( Aluminum )			
	08 : 8 L ( Iron )			



Model	Act Time	Interval Time	Motor	Max Volume	Max Pressure	1Q Voltage
CEN01	Control By PLC		12W	130cc/min.	15kgf/cm2	110V-220V

CEN01 Tipi yağlama ünitesi serbest geçiş ve direkt yağlama ünitesidir.

Model	Tank Code	Tank Material	Capacity	Fixed Hole Distance (mm)	Lenght (mm)	Width (mm)
CEN01	1	Resin	2L	177	215	128
	2	Aluminum	2L	200	218	145
	3	Resin	3L	205	230	167
	4	Resin	4L	250	277	162
	5	Aluminum	4L	280	298	167
	8	Iron	8L	338	355	190



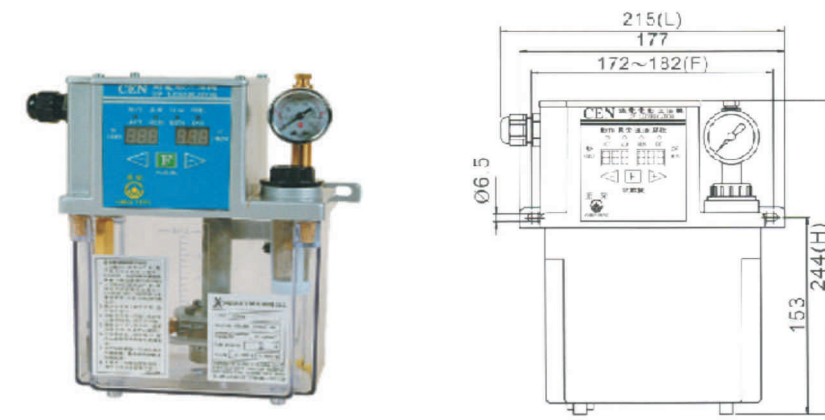
- \*Control by PLC
- \*Motor 12 Watt
- \*Max.Volume (Debi) 130 cc./min
- \*Max.Pressure/bar (Max.Basınç) 15 kgf/cm2
- \*Voltaj 110VAC veya 220VAC 2,5A 1A 60Hz./50Hz.
- \*Çıkış Boru/Hortum Çapı Q4 veya Q6
- \*Yağ viscosity 32-68cST @ 40C

CEN 01	1	C	3	***
Model	Interval	Voltage	Discharge Bore	Special Request
01 : Resistance Type,	01 : 2 L ( Resin )	A : 110V,60Hz	0 : Q4	
Controlled By PLC	02 : 2 L ( Aluminum )	B : 220V,50Hz	1 : Q6	
	03 : 3 L ( Resin )	C : 220V,60Hz	2 : Q4 ( With Pressure Gauge )	
	04 : 4 L ( Resin )		3 : Q6 ( With Pressure Gauge )	
	04 : 4 L ( Aluminum )			
	08 : 8 L ( Iron )			

Model	Act Time	Interval Time	Motor	Max Volume	Max Pressure
CEN02 Resistance	1-999 sec	1-999 sec or min	12W	130cc/min.	15kgf/cm2

CEN02 Digital ve serbest geçiş yağlama ünitesidir.

Model	Tank Code	Tank Material	Capacity	Fixed Hole Dist. (mm)	Lenght (mm)
CEN02	1	Resin	2L	177	215
	2	Aluminum	2L	200	218
	3	Resin	3L	205	230
	4	Resin	4L	250	277
	5	Aluminum	4L	280	298
	8	Iron	8L	338	355

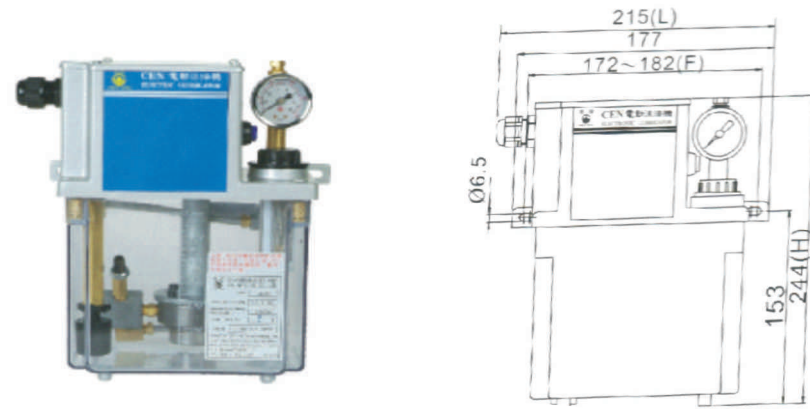


- \*Control Act.time/Int.time(Yağlama zamanı/ Bekleme zamanı) Digital ayarlanabilir,
- \*Motor 12 Watt
- \*Max.Volume (Debi) 130 cc./min
- \*Max.Pressure/bar (Max.Basınç) 15 kgf/cm2
- \*Voltaj 110VAC veya 220VAC 2,5A 1A 60Hz./50Hz.
- \*Çıkış Boru/Hortum Çapı Q4 veya Q6
- \*Yağ viscosity 32-68cST @ 40C

CEN 02	1	2	C	3
Model	Tank Capacity ( Material )	T.( Act x Int.)	Voltage	Discharge Bore
02: Resistance Type,	01 : 2 L ( Resin )	1 : sec x sec	A : 110V,60Hz	0 : Q4
Controlled By	02 : 2 L ( Aluminum )	2 : sec x min	B : 220V,50Hz	1 : Q6
Timer	03 : 3 L ( Resin )		C : 220V,60Hz	2 : Q4 ( With Pressure Gauge )
	04 : 4 L ( Resin )			3 : Q6 ( With Pressure Gauge )
	05 : 4 L ( Aluminum )			
	08 : 8 L ( Iron )			

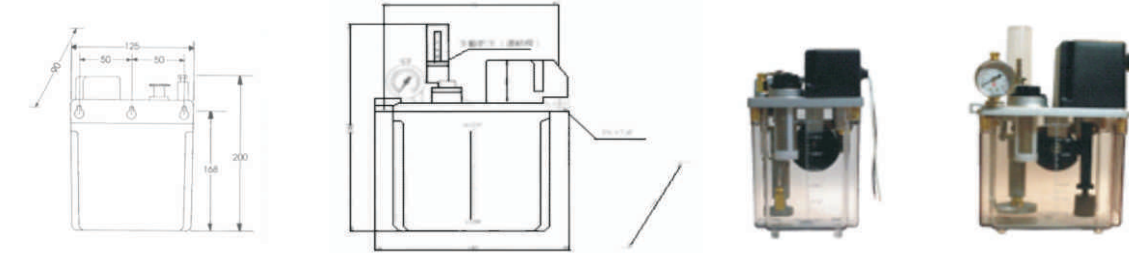
Model	Act Time	Interval Time	Motor	Max Volume
CEN03	Control By PLC/15kgf/cm2		12W	130cc/min.

Model	Tank Code	Tank Material	Capacity	Weight (kg)
CEN03	1	Resin	2L	3,80
	2	Aluminum	2L	5,10
	3	Resin	3L	4,35
	4	Resin	4L	4,95
	5	Aluminum	4L	5,90
	8	Iron	8L	8,65



CEN 03	1	C	3
03 : Pressure-Relief Typ.	Tank LT. ( Material )	Voltage	Discharge Bore
Controlled by PLC	01 : 2 L ( Resin )	A : 110V,60Hz	0 : Q4
	02 : 2 L ( Aluminum )	B : 220V,50Hz	1 : Q6
	03 : 3 L ( Resin )	C : 220V,60Hz	2 : Q4 ( With Pressure Gauge )
	04 : 4 L ( Resin )		3 : Q6 ( With Pressure Gauge )
	04 : 4 L ( Aluminum )		
	08 : 8 L ( Iron )		

Model	Interval Time	Motor	cc/stroke	Max Pressure	1Q Voltage
CESMA	15 - 30 - 60 min	4W	3-6cc	3kgf/cm2	110V - 220V
CESMB	Optional				
CESC	(Non - adjustable)				
CESS					



Model	Capacity	Fixel Hole Distance (mm)	Length (mm)	Widht (mm)	Height (mm)
CESMA	2L	176	205	139	250.5
CESMB			205	139	250.5
CESC			198	139	250.5
CESS	1L	100	125	89	203



CES A	10	C	6	3***	
Model	Interval	Voltage	Discharge Volume	Discharge Bore	Special Request
A : Standards, Wiring Pul Out	02 : 2min	A : 110V	1 : 1cc	0 : Q4	
B : With Float Switch Wirng Pull Out	03 : 3min	C : 220V	2 : 2cc	1 : Q6	
MA : Standards, Wiring Inside	05 : 5min		3 : 3cc	2 : Q4 ( With Pressure Gauge )	
MB : With Float Switch, Wiring Inside	10 : 10min		4 : 4cc	3 : Q6 ( With Pressure Gauge )	
C : With IC Box and Buzzer	15 : 15min		5 : 5cc		
	30 : 30min		6 : 6cc		
	60 : 60min				

**CEAB TYPE PRESSURE RELIEF (Basınç Ayar) DOZAJLI YAĞLAMA ÜNİTELERİ**

Model	Act Time	Interval Time	Motor	Max Volume	Max Pressure	1Q Voltage
CEAB	3sec - 3 min	1-60min	25W	250cc/min.	20kgf/cm2	110V-220V
		1-180min	60W	600cc/min.	30kgf/cm2	110V-220V
		1-360min				

Model	Tank Code	Tank Material	Capacity	Fixed Hole Distance (mm)	Lenght (mm)	Width (mm)
CEAB (25W)	2	Aluminum	2L	200	217	144
	4	Resin	4L	250	269	184
CEAB (25W)	5	Aluminum	4L	280	311	184
	8	Iron	8L	338	355	189
Model	Tank Code	Tank Material	Capacity	Fixed Hole Distance (mm)	Lenght (mm)	Width (mm)
CEAB (60W)	4	Resin	4L	250	275	160
	5	Aluminum	4L	280	298	165
	8	Iron	8L	338	355	190



CEAB-2LT Dozajlı+Timer



CEAB-4LT Dozajlı+Timer



CEAB-4LT Dozajlı+Timer (60W)

CE A	2	60	C	25	1
Model :	Tank Capacity(Material)	Interval	Voltage	Motor	Discharge Bore
Resistance	02: 2L ( Alüminyum )	060 : 60min	A : 110V	25 :25W	0 : Q4
Type	04 : 4L ( Resin )	180 : 180min	C : 220V		1 : Q6
	05 : 4L ( Alüminyum )	360 : 360min			2 : Q4 ( With Pressure Gauge )
	08 : 8L ( Iron )				3 : Q6 ( With P ressure Gauge )

**CEV RESISTANCE TYPE (Direkt) YAĞLAMA ÜNİTELERİ**

Model	Motor	Max Volume	Max Pressure	Voltage	Ampere
CEV	25W	250cc/min.	12kgf/cm2	1Q 110V	0.7A
				1Q 220V	0.2A
				3Q Optional	0.3A
CEV	25W	250cc/min.	20kgf/cm2	1Q 110V	1A
				1Q 220V	0.65A
				3Q Optional	0.35A

Model	Tank Code	Tank Material	Capacity	Fixed Hole Distance (mm)	Lenght (mm)
-------	-----------	---------------	----------	--------------------------	-------------

CEV (25W)	2	Aluminum	2L	200	215
	3	Resin	3L	205	230
	4	Resin	4L	250	280
	5	Aluminum	4L	280	295
	8	Iron	8L	338	355

Model	Tank Code	Tank Material	Capacity	Fixed Hole Distance (mm)	Lenght (mm)
CEV (60W)	2	Aluminum	2L	200	215
	3	Resin	3L	205	230
	4	Resin	4L	250	280
	5	Aluminum	4L	280	295
	8	Iron	8L	338	355



CEV-2 LT. Alum.



CEV-2,5 LT. Resin



CEV-4 LT. Resin

CEV	2	C	25	3
Model :	Tank LT.(Material)	Voltage	Motor	Discharge Bore
Resistance Type	02: 2L ( Alüminyum )	A : 1Q110V	25 :25W	0 : Q4
	03 : 3L ( Resin )	C : 1Q220V		1 : Q6
	04 : 4L ( Resin )	D : 3Q220/380V		2 : Q4 ( With Pressure Gauge )
	05 : 4L ( Alüminyum )	E : 3Q220/440V		3 : Q6 ( With P ressure Gauge )
	08 : 8L ( Iron )	F : 3Q208/415V		
	20 : 20L ( Iron )	G : 3Q230/460V		
		H : 3Q240/480V		
		X : Special Voltage		

Model	Max Volume	Max Pressure	Capacity	Discharge Bore	Discharge Bore No.
CLA - 6	8 cc	15kgf/cm <sup>2</sup>	350 cc	Q4	1
					2
				Q6	1
					2
CLA - 8	8 cc	15kgf/cm <sup>2</sup>	400 cc	Q4	1
					2
				Q6	1
					2



CLA-6



CLA-8

Model	Max Volume	Max Pressure	Capacity	Weight (kg)
CKE-8 Left Type	8cc	5kgf/cm <sup>2</sup>	1L	1,53
CKE-8 Right Type				
CKE-20 Left Type	8cc	5kgf/cm <sup>2</sup>	2L	2,02
CKE-20 Right Type				

CKE-8 Left Type



CKE-20 Right Type

Model	Capacity	Max Volume	Max Pressure	Fixel Hole Distance (mm)	Weight (kg)
CLHA-10	300cc	2cc/stroke	100kgf/cm <sup>2</sup>	70	1,08
CLHA-25	400cc			70	1,78
CLHA-20	600cc			70	1,14
CLHA-35	1000cc	2cc/stroke	100kgf/cm <sup>2</sup>	70,75	2,20
CLHA-40	800cc			70	1,39
CLHA-50	2000cc			70,75	2,09



Model	Capacity	Interval Time	Motor	Max Volume	Max Pressure
KSB-30	600cc	1-180 min or 1-360 min	15W	15cc/min.	150kgf/cm <sup>2</sup>
KSB-35	1000cc				
KSB-40	800cc				
KSB-50	2000cc				

Model	Capacity	Interval Time	Motor	Max Volume	Max Pressure
KSC-30	600cc	Cont. By PLC	15W	15cc/min.	150kgf/cm <sup>2</sup>
KSC-35	1000cc				
KSC-40	800cc				
KSC-50	2000cc				



KSC-Direkt

KSB-Timer

KSC-24VDC

KSB-24VDC Timer

Tavsiye edilen viskozite 00 ve 000 numara grease

**NLGI (Viskozite) 000 ile 2 No. GREASE**

Model	Tank Capacity	Max Volume	Max Pressure	Fixel Hole Distance (mm)	Weight (kg)
CLHP-40 Kollu Grease	800cc	2cc/stroke	100kgf/cm2	70	1,39

**NLGI (Viskozite) 000 ile 2 No. GREASE**

Model	Tank Capacity	Interval Time	Motor	Max Volume	Max Pressure
KSCP-40 220VAC (Direkt)	800cc.	1-180 min	15W	15cc/min.	150kgf/cm2
KSBP-40 220VAC (Timer)	800cc.	or 1-360 min			
KSCP-40 24VDC (Direkt)	800cc.	1-180 min	15W	15cc/min.	150kgf/cm2
KSBP-40 24VDC (Timer)	800cc.	or 1-360 min			



CLHP-Kollu



KSCP-Direkt



KSBP-Timer

**YEDEK EKİPMANLAR**

Model	Tank Kapasite
Yedek Tank	1L Resin (Plast.)
Yedek Tank	2L Resin (Plast.)
Yedek Tank	2.5 L Resin (Plast.)
Yedek Tank	4 L Resin (Plast.)
Yedek Tank	2L Alüminyum
Yedek Tank	4L Alüminyum



Model	Tank Kapasite
Yedek Grease Oil Cup (Tank) CLHA-20	600 cc.
Yedek Grease Oil Cup (Tank) CLHA-35	1000 cc.
Yedek Grease Oil Cup (Tank) KSC & KSB	2000 cc.
Yedek Grease Oil Cup (Tank) CLHP	800 cc.
Yed. Grease.Oil Cup (Tank) KSCP & KSBP	800 cc.



600cc. 800cc.

Model	Tanım
IC Board (Akıllı Kart) for	CESD/CESW
IC Board (Akıllı Kart) for	CEN01/CEN03
IC Board (Akıllı Kart) for	CEN02/CEN04



Model	Tanım
IC Board (Akıllı Kart) for	KSC
IC Board (Akıllı Kart) for	KSB (Timer)



**KGH-2L 24VDC GREASE YAĞLAMA ÜNİTESİ**

Model	Capacity	Act Time	Interval Time	Motor	Max. Volume	Max. Press.	Voltage	Ampere
	2000 cc.	Control by PLC		20W	4.5 cc./min.	300 kg/cm	DC24V	5A
	Wiring	Discharge Bore	Grease Viscosity	Fixed Hole Distance	Length	Width	Height	
KGH		Q4*PT1/4						Anti clockwise
	1 Means -	Q6*PT1/4						
	2 Means +	Q8*PT1/4	NLGI 000-2	160mm	282mm	183mm	260mm	
		Q10*PT1/4						

KGH	2L	1	D	1	x
	Tank Capacity	Discharge Bore	Voltage	Discharge Bore	Special Request
		1:1 Lubricant Outlet	D:DC24V	0:04*PT1/4	A:Add transformer to change to AC 110V
		2:2 Lubricant Outlets		1:06*PT1/4	C:Add transformer to change to AC 220V
		3:3 Lubricant Outlets		3:10*PT1/4	N:Add transformer to change to AC 110/220V and add a timer

Örnek:  
KGH-2L-1-D-1  
24VDC


**MAG PNEUMATIC GREASE YAĞLAMA ÜNİTESİ**

Model	Effective Capacity (Liters)	Max.Permissible Inlet Air Press.	Mini. Permissible Inlet Air Press.	Discharge Volume	Discharge Bore	Electrical Lever Switch
	1.5L	150 psi	50 psi	2,5 cc./Stroke	Q4	Optional
					Q6	
					Q8	
MAG					Q10	
	Fixel Hole Distance (mm)	Lengh (mm)	Width (mm)	Height (mm)	Weigth (kg)	Grease Viscosity
	55	275	130	365	5.5	NLGI 000-2

MAG	50	0	1	1	x
	Effective Capacity	Air Inlet	Discharge Bore	Electric Solenoid Valve	Special Request
Model	Capacity	0:Q8	0:Q4	0:Without 3/2 Way Direct Solenoid Valve	S:Added Level Switch
	1.5 Liters	1:Q10	1:Q6	1:With 3/2 Way Direct Solenoid Valve	G:Add Pressure Gauge
			2:Q8		
			3:Q10		

Örnek:  
MAG-50-0-1-1  
1,5 LT. With 3/2 sol.v

